



MOBOTIX Smart Home • Professionally Secured

Smartphone in the Wall

MxDisplay+ is very user friendly, intuitive and supports gesture control like a smartphone. It supports access to the T25 IP Video Door Station, all MOBOTIX cameras, manages the time-based access control for each door, reads and writes RFID transponders, controls smart home functions and acts as an alarm center with several lines. Beside typical door intercom functions like full duplex HD audio, MxDisplay+ offers much more. The configuration and access of the complete home with connected cameras and alarm sensors is easy to realize without any PC or additional infrastructure.

Comfortable and Intelligent

The new flush wall mount **MxPanel** is a consequent enhancement of the successful intelligent video counter station MxDisplay+. Beside typical door intercom functions like full duplex HD audio, the big 7" display of MxPanel offers comfortable control and configuration of all smart home functions

and connected cameras and alarm sensors, as well as the access control of the complete building without PC or additional infrastructure. In addition to IP connectivity, the new MxPanel provides various interfaces like KNX, WiFi, Bluetooth, MxBus and USB 3.0.

Loud and Cristal Clear

The new **MxSpeaker** module with the designed glass cover is a perfect addition to MxDisplay+ and distributes crystal clear HD audio from the T25 IP Video Door Station. In combination with MxDisplay+, the new speaker module provides perfect audio also over longer distances or in noisy situations.

License Free • Encrypted

MOBOTIX has launched a new communication standard for building automation which is open, network based and completely license free. With **MxBroadcast** it is easy to configure and manage actions or alarms across the whole network. MxBroadcast is one of the first protocols in

home automation offering an integrated end-to-end encryption.

MxBroadcast

The new standard is supported with a freely available SDK (Software Development Kit) which allows an easy integration and connection of any 3rd party device like network based nodes, sensors, actuators, home servers, etc. MxBroadcast runs either on the MOBOTIX two wire bus MxBus or in standard networks.



T25 IP Video Door Station



MxDisplay+ • 2,5"



MxSpeaker



MxPanel • 7"

The New MOBOTIX Software-Tools • Professional and Free-Of-Charge

Now Also Available for Android

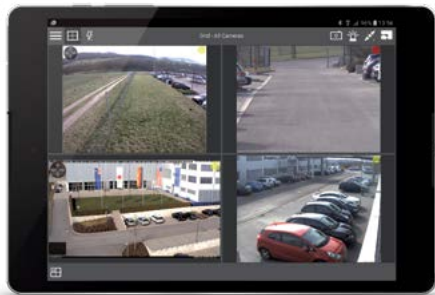
The new **Premium App** for smartphone and tablet offers a complete management of different live views (e.g. grid or full screen) and recorded video data of MOBOTIX cameras and IP Video Door Stations. The new introduction of camera groups is ideal to manage a huge number of cameras in an easy way. There is no limit in terms of numbers of cameras. Other advantages are the fast and improved research (playback) features in situations with limited bandwidth, especially when mobile networks are used.

Fit for Mobile

Even during small bandwidth connections, the video is transmitted in low resolution. However, virtual PTZ is able to zoom into the area of interest to retrieve every important detail. This unique feature is available in both live video and playback.

Two-way Audio, Door and Lights

Furthermore, the MOBOTIX App supports hands free communication, opens up doors via the T25 IP Video Door Station and con-



trols light. Support of the different display modes of hemispheric cameras is optimized thanks to the built-in hemispheric correction. The premium app for Android is available free of charge just like the iOS app.



Browser Access World Wide

In addition to apps and video management, the new webserver **MxWeb** is one of the most important access channels to MOBOTIX cameras. This is quite important when access is required urgently, but no own PC or tablet is available. MxWeb provides access to live views, recordings and events (in grid or full screen) for research with high-speed playback and comfortable time-lapse as well as two-way HD audio from every PC world wide. MxWeb is user friendly, intuitive and consistent to all other MOBOTIX software tools like app or video management MxMC. With the right authorization MxWeb gives access to the complete configuration of the camera and supports all modern browser platforms like Firefox, Safari, Chrome, etc.

Comfortable on All Platforms

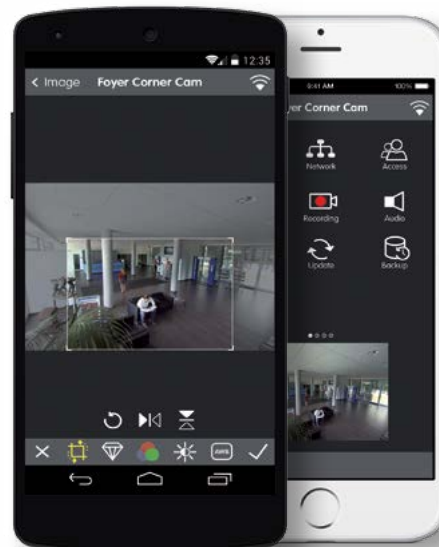
Also available for all devices (PC, tablet), **MxSoftPanel** provides a nice and easy route to use the complete user interface of MxDisplay+ comfortably and independent of the location. Setup and management of the complete access control of buildings and premises can be realized fast and user friendly. Smart home functions like control of lightning or blinds can be done remotely, e.g. conveniently from the sofa.

Fast Setup

The new MOBOTIX App **MxSetup** will save installation costs and reduces setup and configuration of MOBOTIX cameras dramatically. All MOBOTIX cameras will be equipped in the future with the new MOBOTIX connectivity concept, called MxSetup – available in all smartphones and tablets. MxSetup is the perfect tool to quickly browse through the basic settings of different cameras and to verify parameters like image resolution, exposure or codec settings as well as the recording status. Cameras can be armed or disarmed with one fingertip, image areas and field of views can be easily optimized on the fly, directly on the tablet without laptop or PC.

Highest Network Security

With a direct Bluetooth connection, MxSetup allows to configure and setup cameras without touching the local router or network. This is important when installation or setup is done by subcontractors, who do not have access to the local router.



MxManagementCenter MxMC



Professional VMS • No Costs • No Camera or User Limits

User Experience

The new MOBOTIX Management Center (MxMC) is a complete new development for PC/Mac systems with the focus on a unique and intuitive user experience, providing the highest cost savings and flexibility in the market.

Intuitive Layout Views

MxMC helps users to manage huge numbers of cameras by sorting and structuring devices into groups and different layout views. MxMC supports grid, graphic and info view as well as camera-, group- and alarm bar to get fastest overview and results. Every view can be maximized with a single mouse click.



Intuitive Layout Views

Histogram with MxEventStatistic

The display of events in a Histogram allows a fast graphical analysis of irregularities and related information. This is a perfect tool to get a quick overview of all events from the database, generated inside the camera without any additional PC.



MxEventStatistics

Flexible Video Export

MxMC allows the export of the complete video as an overview or the zoomed part of the image in different formats (mxg, avi, etc.). This new function supports the export into different resolutions, frame rates, virtual PTZ views, including the transformation from 360° hemispheric (fisheye) to surround, panorama or special views independent from the export source.

User Action Log

MxMC supports a full user logging functionality of user actions like starting playback or export, switching audio on, etc. in order to establish a complete user protocol. In this way all user responses can be logged and documented to create a complete chain of evidence.

Multi-Monitor-Capability

MxMC offers setup and arrangement of dual or multi-monitor installations without any software costs. A simple double-click leads to the second monitor. Or MxMC is able to detect multiple monitors from different PCs in the network and can define target monitors for individual cameras or views.



Multi-Monitor

60-times High-speed Playback

MxMC includes different research tools to provide fastest results on events and recordings, comfortable research and in-depth analysis. 60-times high-speed playback with time lapse search reduces a **24-hour video footage down to nearly one minute** for example.

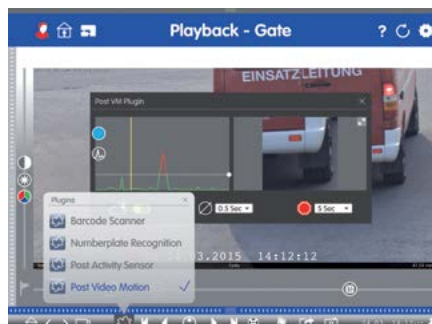
MxPOS



MxPOS (Point Of Sale)

Search and sort function of data created by the POS system. For example, checkout transactions can be analyzed by items, price or staff member. Beside video security, MxMC offers the image and video to the related transaction analysis and key word search.

Playback Analysis • Plugins



Plugins

Automatic post video motion analysis allows high-speed search including time lapse of the complete video footage to find particular motion events. MxMC provides a new plugin interface for future software features or third-party developments like post video motion analysis, bar

code scanning or number plate recognition. This will open up a great number of new applications for MxMC and allows partners and system integrators to use MxMC in many new market verticals and segments.

Adaptive Bandwidth Management

High definition video is exclusively recorded by the MOBOTIX cameras. They are able to manage frame rates and image resolution, depending on the available bandwidth. Even during small bandwidth connections, virtual PTZ is able to zoom into areas of interest to retrieve every detail. This unique feature is available in both live video and playback.

Reduction of Installation Costs

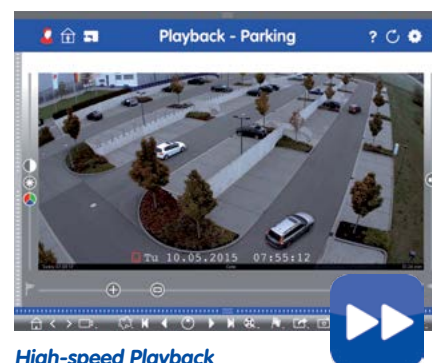
Complete user interface to manage all parameters where no web browser is required in the future. MxMC provides intelligent sorting of all parameters and supports visual control and drag&drop configuration of cameras and complete groups which will drastically reduce installation and configuration costs.

Unlimited • Free of Charge

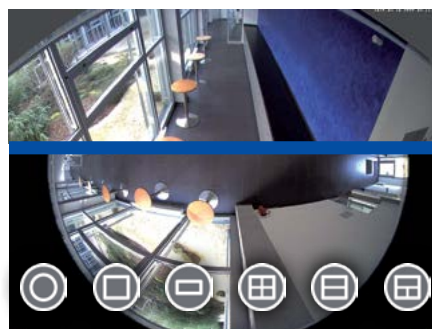
Following the MOBOTIX software concept, MxMC is 100% included in the MOBOTIX portfolio, requiring no extra software, license or update costs. MxMC can be used in projects independent of the number of cameras or the mix of products. It is possible to setup a complete system in the shortest time.



Graphic View



High-speed Playback



Virtual PTZ





Proximity-Box



MxDoorSecure

Safe Against Manipulation • Many Interfaces

Perfect Upgrade

MxBaseboard is the new, intelligent and flexible extension for the MOBOTIX T25 IP Video Door Station. In combination with MxDoorSecure it will increase the safety level of the entrance and provides various interfaces and control possibilities with smallest cabling effort. Thanks to intelligent encryption, every access is protected against any manipulation. Depending on the application scenario, up to 3 doors or up to 6 door bells can be connected in

different combinations. Beside one speaker output, two 110/230V AC loads (light, door bell, etc.) can be controlled directly via two onboard relays. In the case of power failure the battery pack of MxBaseboard is able to deliver enough energy to operate the entrance up to 60 hours.

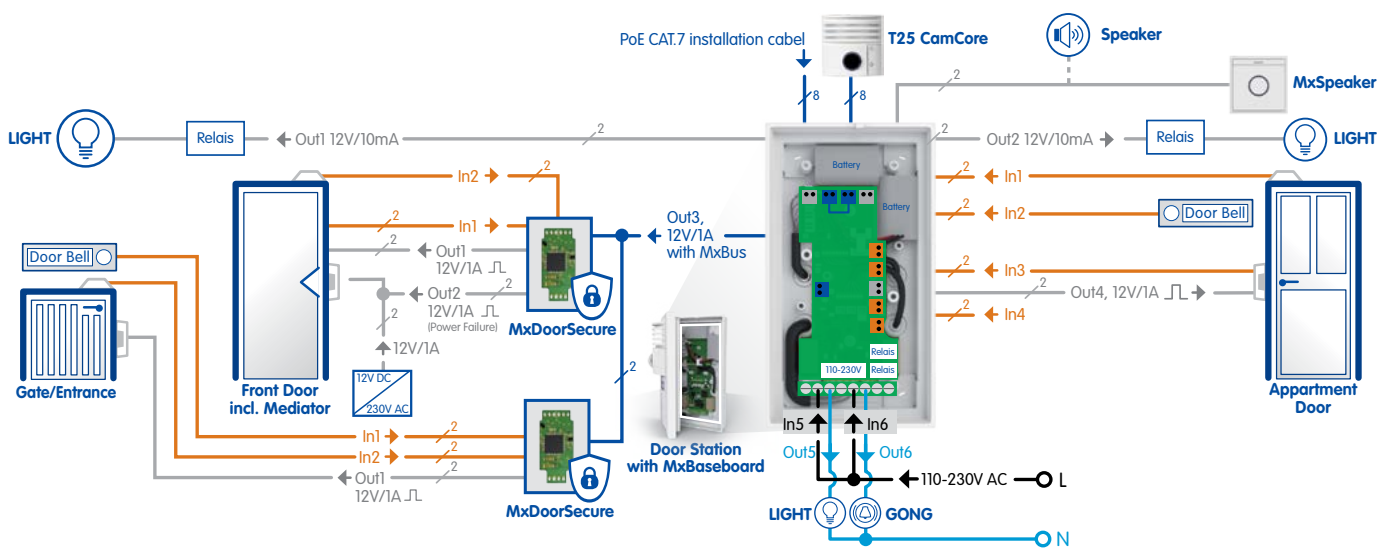
Video Door Station against manipulation. MxDoorSecure will be installed discretely inside the door frame and connected to MxBus with the lowest cabling effort.

Safe & Discrete

The newly developed **MxDoorSecure** provides intelligent encryption and is therefore able to perfectly secure every entrance equipped with a MOBOTIX IP

Hidden Motion Detection

The new **Proximity-Box** allows motion detection of an object according to direction and speed and is a perfect addition to motion detection with PIR. Detection is based on radar microwaves and therefore possible through materials like wood, plastic or dry walls.



MxBaseboard: Input In1-In4: self-powered input to check status of contacts
 Input In5, In6: connection to 110-230V AC (L-phase wire)
 Output Out1, Out2: 12V/10mA to relay control (e. g. ELJAKO ER12)
 Output Out3: 12V/max. 1A with MxBus
 Output Out4: 12V/max. 1A
 Output Out5, Out6: potential free relay output to connect 110-230V AC loads, load needs to connect to neutral (N) conductor
 Power failure will be detected due to missing PoE injection (CAT.7)

MxDoorSecure: Input In1, In2: self-powered input to check status of contacts
 Output Out1, Out2: 12V/max. 1A

6MP Vandalism Camera v25



Security-Vision-Systems

MOBOTIX



c25 - In-Ceiling



v25 - On-Wall/Ceiling



p25 - In-Ceiling



i25 - On-Wall



c25 - Corner mount with 103° lens

6MP Dome Camera v25 • Complete Room Coverage with 103° Lens

Competitive and Professional

The new **v25** camera is the first MOBOTIX vandalism indoor camera and at the same time supporting all MOBOTIX functions. The customer gets a complete standalone video surveillance system, including SD card or NAS event recording, alarming, professional video management (VMS) and video analysis functions like heat map and object statistics, priced from €448 onwards.



Moonlight Technology

The v25 includes the successful MOBOTIX Moonlight Technology, the new benchmark in light sensitivity, to realize high quality video especially in lowlight situations (< 1 lux). The v25 is compatible with all

standard lens options including the new 103° lens to cover a complete room without any blind spots. Also included is MxActivitySensor to avoid false alarms.

Perfect Protection

The new v25 6MP model will be supported with two vandalism kits including a stainless steel protection ring and reinforced dome cover. The new vandalism kits provide complete case protection up to IK10 of the standard v25 as well as the v25 equipped with the additional on-wall audio kit, which is ideal for installations in public buildings, prisons and military premises.

Flexible and Fast Installation

Like all 6MP indoor models (i25, c25 and p25), the v25 can also be easily installed within minutes in any types of ceilings. The v25 supports all standard lenses (Ultra Wide to Distant Tele Lens) to ensure always the perfect solution for any indoor environment,

installed either in ceiling- or wall mount positions. The v25 can be adjusted in both directions, horizontally and vertically resulting in the ideal image orientation and viewing angle. The audio on-wall kit with extended vandalism kit supports cable screw connection for on-wall installations.



v25 with MxTubeMount and standard vandalism kit

MxAnalytics Included

MxAnalytics supports people statistics and heat map reporting without any extra PC. This functionality is part of the camera itself with no extra costs and therefore avoids any bandwidth traffic. It is perfect for indoor locations like retail stores, museums, shops, health care centers, universities and schools.

Optional Accessories

The new v25 can be equipped with an on-wall audio kit to realize two-way HD audio incl. microphone and speaker. The v25 is also compatible to the new **MxTubeMount** to be installed in unstructured ceilings like supermarkets, airports, logistics facilities etc. With MxTubeMount it is possible to adapt always to the right length of up to 2 meters suspended from the ceiling.

VMS FREE

v25 €448

c25 €428

p25 €448

Premium Apps FREE

No Software or License Costs

PoE Switch €59

€1.383